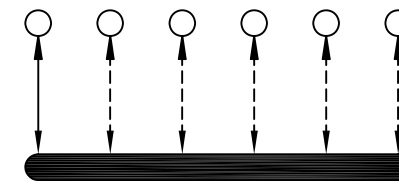
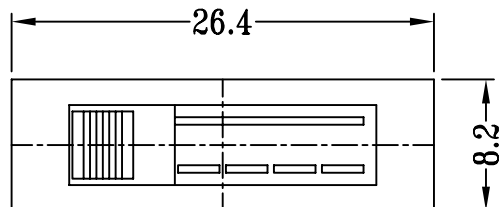
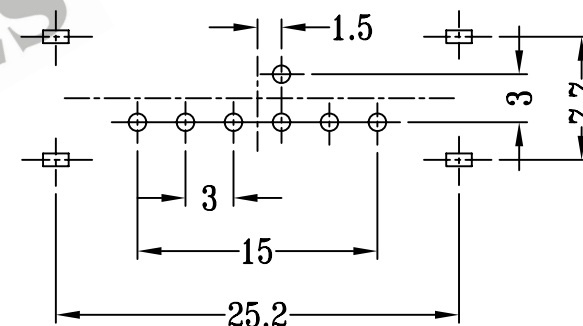
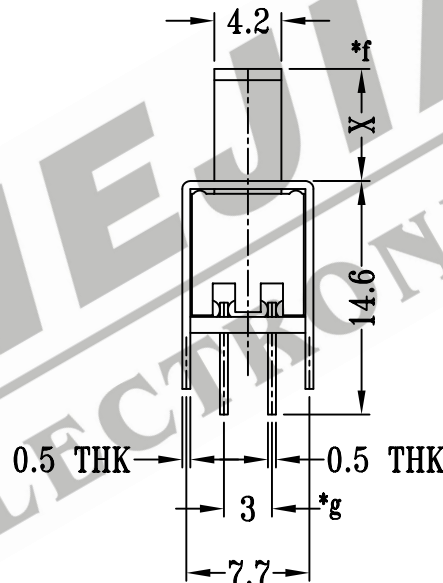
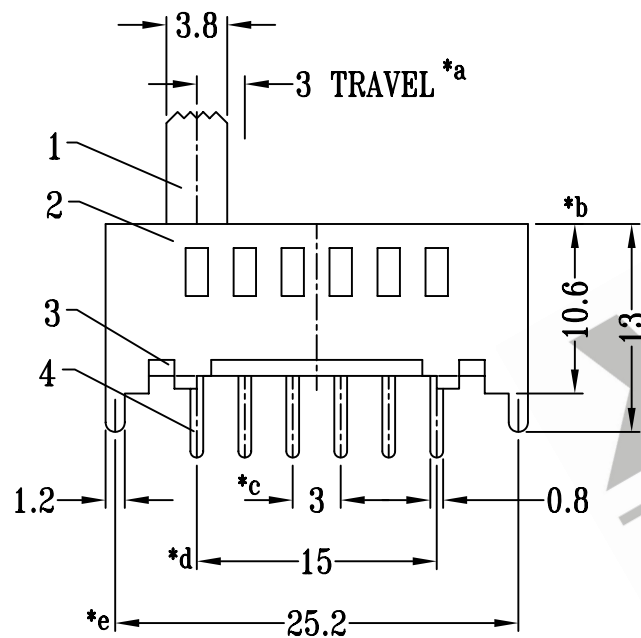


CAD FILE:



SCHEMATIC (SHORTING)



P.C.B LAYOUT

注:带"*"表示关键尺寸(7个)

| | | | | TOLERANCE UNLESS SPECIFIED | | SHENZHEN XIEJIA ELECTRONICS CO.,LTD. | | | | | | | |
|-----|--------------|----------------|------|--------------------------------------|--|--------------------------------------|------|---|--|------------|----------------------------|-----------|------------|
| | | | | WITHIN: 1.5±0.1mm OVER: 1.5±0.2mm | | ISSUE | DATE | DESCRIPTIONS OF REVISION | | APPD. | | | |
| 8 | | | | | | | | TITLE: VERTICAL SLIDE SWITCH | | UNIT: mm | DRWG NO.: XJ-DR-SS16F03-00 | | |
| 7 | CONTACT CLIP | BRASS STEEL | 1 | Ag PLATED | | | | MODEL: SS-16F03 | | SCALE: 2:1 | DWN. | ZHOUYU | 2002-12-31 |
| 6 | SPRING | STEEL WIRE | 2 | TEMPER | | | | ALL MATERIALS MUST BE COMPLIANT TO ROHS | | | CHK'D | FANGYING | 2002-12-31 |
| 5 | STEEL BALL | STEEL | 2 | NATURAL | | | | | | | APPD. | KANGXINAN | 2002-12-31 |
| 4 | TERMINAL | BRASS STRIP | 7 | Ag PLATED OVER Ni PLATED | | | | | | | | | |
| 3 | BASE | PHENOLIC RESIN | 1 | NATURAL | | | | | | | | | |
| 2 | FRAME | STEEL STRIP | 1 | Zn PLATED | | | | | | | | | |
| 1 | KNOB | POM | 1 | BLACK | | | | | | | | | |
| NO. | PARTS | MATERIALS | Q'TY | FINISH | | | | | | APPD. | | | |